



Service and manufacturing in India

Local support for Indian and international customers



Engineered in Germany – Built in India

Deutsche Maschinen India (DMI)

Deutsche Maschinen India (DMI) in Kolkata is the HerkulesGroup service and manufacturing unit for the Indian market. Founded in 2007, the company invested in modern machinery in its 4,404 m² production area. It features numerous state-of-the-art production machines made in Germany. All works are carried out by qualified Indian engineers and technicians who were trained in the German HerkulesGroup plants.

The manufacture of new machines, crucial assemblies and commissioning are carried out with the support of German experts. This guarantees that all equipment and services meet the highest quality demands. DMI stands for high-class manufacturing in proven HerkulesGroup quality.

Indian sales team

Expert advice – Fast and competent solutions

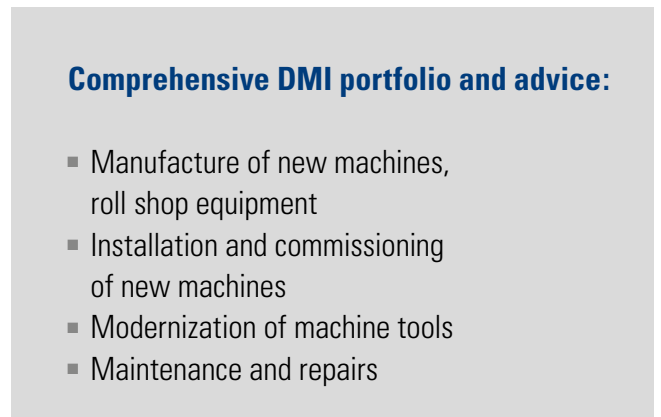
The DMI sales team supports you in finding ideal solutions for your machining challenges and offers expert advice. Trained at the headquarter in Germany, they are specialists in their respective fields. With our team and custom machine tools from Herkules and Waldrich-Siegen you can achieve high quality results.

Manufacture of new machines

Designed by the engineering departments in Germany, the new machines are built and assembled by the experienced employees of DMI. Horizontal boring mills in Union design as well as lathes and roll grinders by WaldrichSiegen and Herkules have already been built successfully.

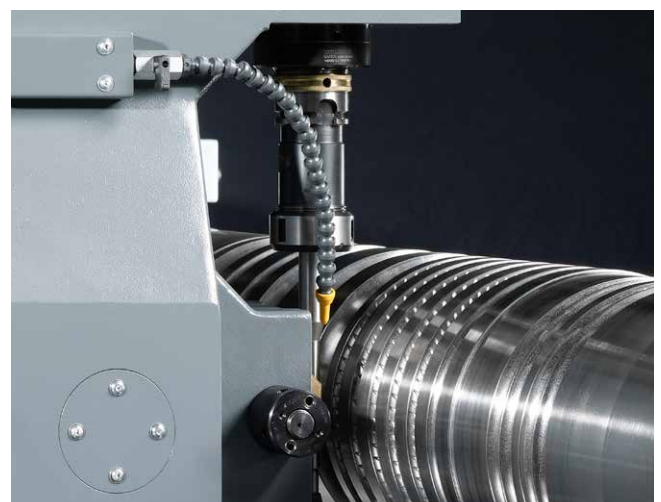


Groove grinding machine HS3



Comprehensive DMI portfolio and advice:

- Manufacture of new machines, roll shop equipment
- Installation and commissioning of new machines
- Modernization of machine tools
- Maintenance and repairs



Notch milling machine NNF

Services: assembly, maintenance, repairs & spare parts

Local technical service in HerkulesGroup quality

DMI offers a comprehensive range of high-quality services and a digital spare parts system, which is linked with the other companies in the HerkulesGroup. Field technical service, annual maintenance programs and customer training are also provided.

Offered by our local team, short distances and delivery times are guaranteed. Hassle-free communication, project management and invoicing – The advantages of our local services are on your side.

Your advantages:

- All services in HerkulesGroup quality
- Close cooperation between DMI and the German HerkulesGroup headquarters
- Excellent price-performance ratio due to local manufacture

Upgrades and modernizations

Regarding the revamping of machine tools, DMI has extensive experience. Machine tools of all types and manufacturers are modernized by DMI and are fit for many more years of high precision machining at your facility. The DMI expert team can offer you modernization packages, ranging from complete rebuilds to electrical upgrades and customized control packages which are specially developed to meet your specific requirements.

When revamping HerkulesGroup machines, DMI has a unique advantage – being able to refer to the original drawings. We also maintain original drawings and documents for Voith and Farrel grinders.



Union PCR 160: Horizontal boring mill with fully hydrostatic guidance system

DMI – Member of the HerkulesGroup

Specialists for heavy-duty machine tools

The companies in the HerkulesGroup are the global experts for the precise and efficient machining of large workpieces. Grinding, texturing, turning, boring and milling – the independent companies in the family-owned group support you with diverse custom solutions.

Manufacture of new machines and equipment:

- Turning lathes of the P-Series
- Notch milling machines
- Groove grinding machines

Roll shop equipment:

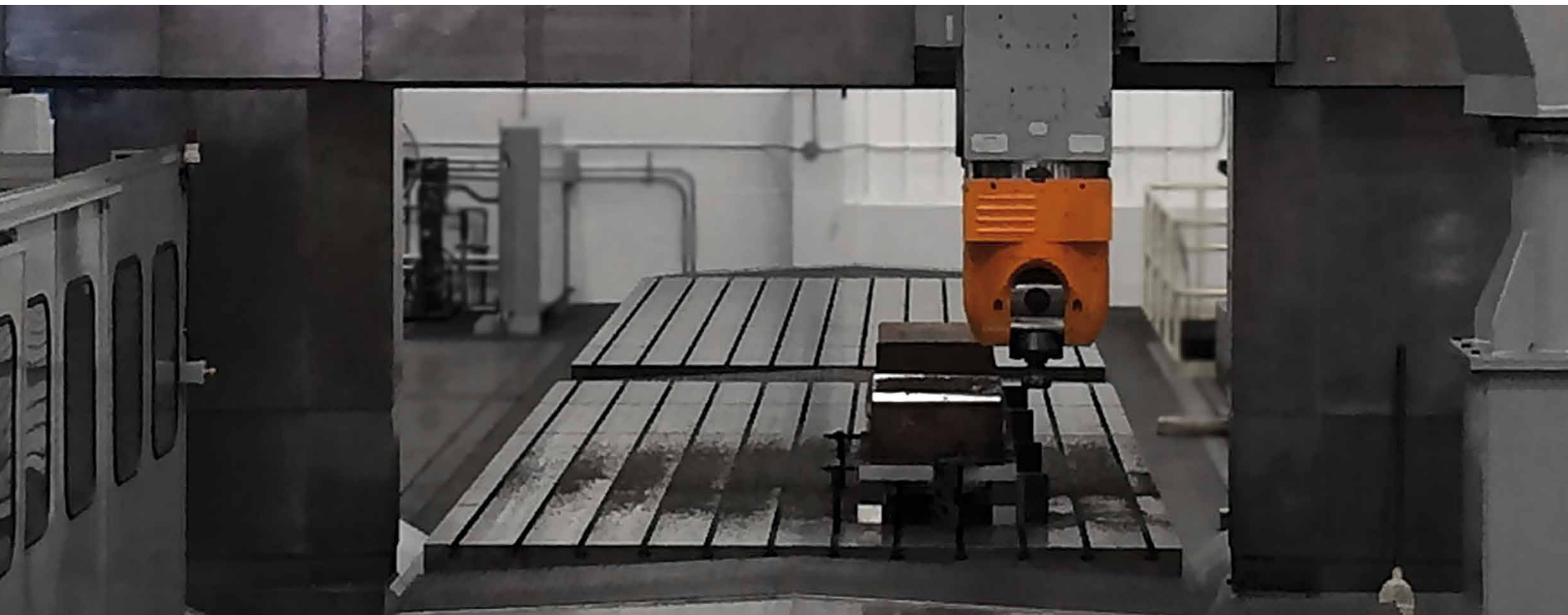
- Automatic loaders
- De-chockers for rolls
- Chock tilters
- Roll racks
- Roll transport cars
- Horizontal boring mills
- Filtration unit & roll cooling stations

ENGINEERED IN 
GERMANY

We are here for you 24/7

Call our emergency service telephone line to contact us anytime if you need immediate support.

T: +91-98360-50101



WaldrichSiegen portal milling machines cover a complete application range with their modular design



Deutsche Maschinen India Pvt. Ltd.

Palan Industrial Estate · South 24 Parganas · Maheshtala · West Bengal 700 141 · India · info@dm-service.com · T: +91-98360-50101